

PLEASE READ this sheet prior to assembly to familiarise yourself with the various stages of construction.

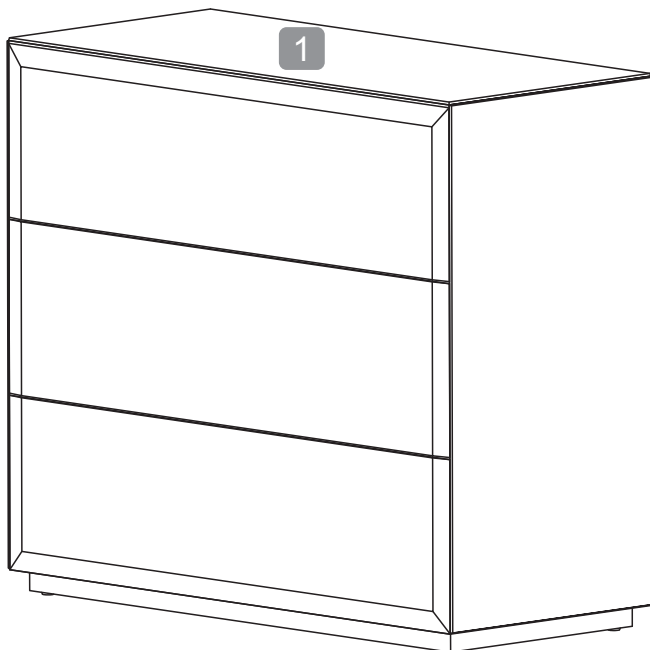
Carefully open the pack supplied and check the contents against the parts and fittings check list.

Do not destroy any of the packaging until you are certain that you have all the necessary parts for the assembly.

Please ensure that the packaging is disposed of in a safe and environmentally friendly way.

Parts Identification

Ö|æ • ÁÔæ^ ÁÔæç&^



Do not use the glass as a chopping board.

Do not place very hot or very cold items on the furniture unless table mats are used to prevent such items coming into direct contact with the glass.

Do not strike the glass with hard or pointed objects.

Do not use abrasive cleaners on the glass as these may scratch and damage the glass.

To clean your item, use a soft cloth, slightly dampened with water, and wipe clean. If necessary, use a few drops of washing up liquid on the cloth.

Then buff with a dry, clean cloth.

If the glass is chipped or broken and unsafe to use, please contact your retailer.

Parts Checklist

Ref.	Description	Qty
1	3 DRAWER WIDE CHEST	1

Fittings Checklist

Code	Description	Qty	Code	Description	Qty
A	Bracket for furniture - pre-fitted by the factory.	x1	C	Cable tie	x1
B	Bracket for wall	x1			

Anti-tilt brackets, fitting instructions.

We advise that to prevent any entrapment or unforeseen accidents, you need to secure the furniture to your wall in accordance with the following instructions. This is to prevent personal injury or property damage from unexpected tipping over of the product, especially recommended when there are children in the home.

Safety Warning

IMPORTANT: Screws or wall fixing are not included with your product as wall construction varies considerably so please select a suitable fixing method for the type of walls you have in your home. If you are unsure about what type of fixing you require seek professional advice. The anti-tilt device must not be modified or altered in any way.

To secure Furniture to the wall:

1. The bracket (A) is pre-fitted to the furniture by the factory.
2. Position your furniture in the room deciding where on the wall the bracket (B) needs to be located - it needs be close to, and in-line with (A) so they can be linked together. Move furniture aside and place bracket on the wall and mark position of both screws with a sharp pencil.
3. Fix bracket to the wall using suitable wall fixings, remember that screws and wall fixings are not included. Seek professional advice if unsure about a safe fixing method.
4. Feed small end of cable tie (C) down through wall bracket (B) then put furniture back in place.
5. Feed small end of cable tie (C) up through furniture bracket (A), push into receiving end of the tie. Now pull tight.

Now your furniture is now protected from falling over.
Please do not allow children to climb on the product.

